

# ***Accurate***

807 E. Parkridge Ave • Corona, CA 92879

1-888-ACCU-372 • 951-479-0909 • Fax: 951-479-0305

[www.accuratefishing.com](http://www.accuratefishing.com)

# ATD PLATINUM OWNER'S MANUAL



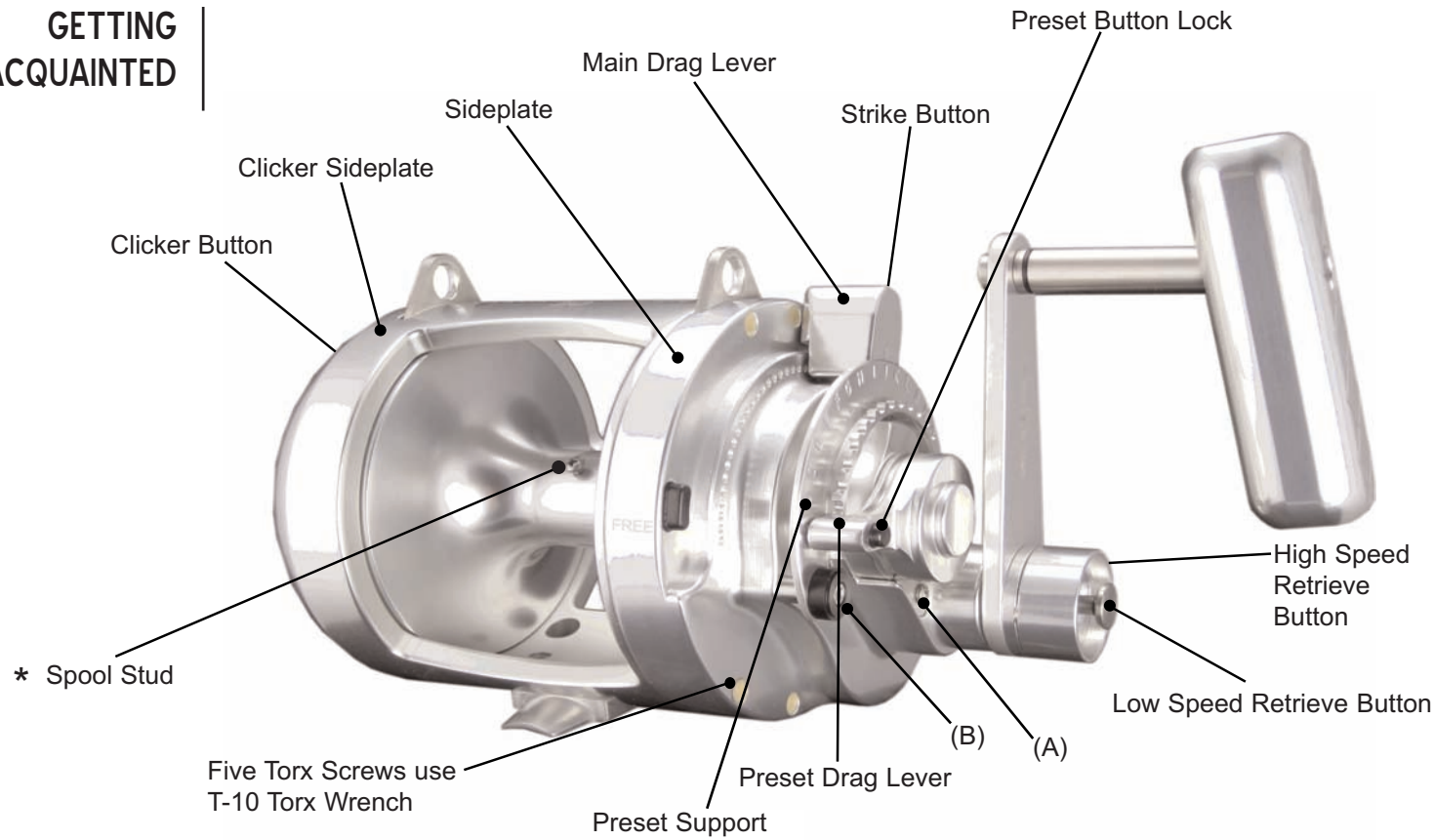
***Accurate***

## CONTENTS

Features	1
Getting Acquainted	2
Operation	3-4
Drag Variance	5
Filling the spool	5
Rod Mounting	5
Line Capacities	6
Maintenance	7
Warranty	8

***Accurate***

# GETTING ACQUAINTED




\* The spool stud for tying the line to the reel can be removed with a phillips screwdriver.

# MAINTENANCE

Bearing Maintenance - The Class 5 A.B.E.C. bearings in the ATD are teflon impregnated in the ball bearing race; thus, no lubrication is needed for these bearings.

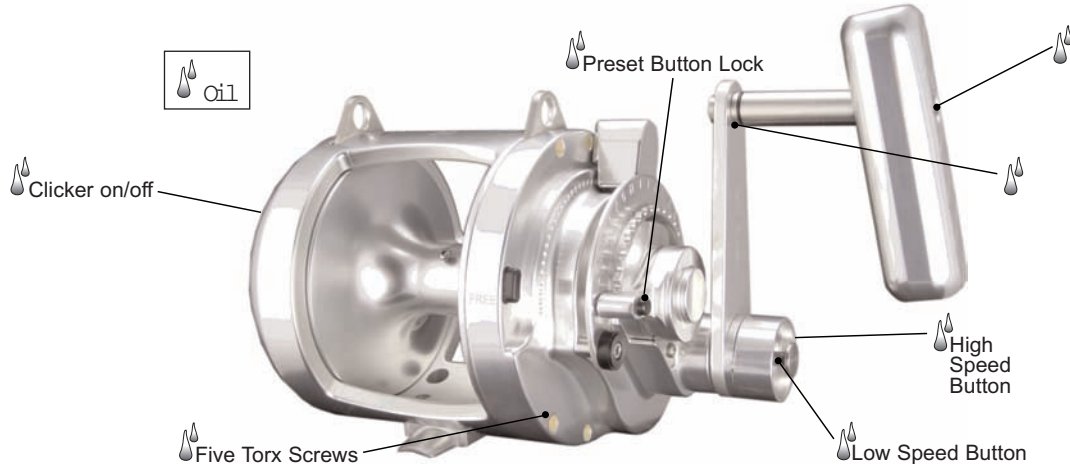
NOTE: Do not lubricate the two small weep holes on the bottom of the reel. These holes are for water to drain out of the reel.

Wash down your ATD with fresh water after each use. We recommend lightly spraying it to prevent water from being forced inside. If heavy pressure is needed put the reel in the "Full" drag position. Do not completely submerge the reel into water. Wipe the exterior parts with an anti-corrosion lubricant. We recommend Corrosion-X® by Corrosion Technologies. Use Corrosion-X® to lubricate all the parts indicated with the oil  symbol.

Periodically, check all exterior screws to make sure they are tight. Screws may loosen over time with boat vibrations.

We recommend yearly maintenance of your ATD reel with a service professional. Preventative maintenance of your ATD reel will keep the internal parts in proper working condition and prolong the life of the reel.

Storage - When storing your ATD reel, put the reel in "Free Spool" and the clicker in the on position.



For further details on maintaining your Accurate ATD Reel, please visit Tech Support at our web site: [www accuratefishing.com /support/platinum.php](http://www accuratefishing.com/support/platinum.php)

# Accurate Fishing Products Two Year Limited Warranty ATD Reels

**How Long Does The Limited Warranty Coverage Last?** This limited warranty runs for a period of two (2) years starting from the date that the ATD reel was first purchased by the consumer. Coverage terminates if you sell or otherwise transfer the reel.

**What Does The Limited Warranty Cover?** Accurate Fishing Products warrants to the original purchaser that its ATD fishing reels are free from defects in material and workmanship with the exceptions stated below. Accurate Fishing Products will also, free of charge, lubricate your ATD reel one (1) time per year during the term of this Limited Warranty.

**What Is Not Covered By This Limited Warranty?** This limited warranty does not cover damage or problems caused by misuse, abuse, neglect, accident, installation, alterations or failure to properly maintain the reel.

**What Will Accurate Fishing Products Do?** Accurate Fishing Products will repair or replace any reel which is defective in material or workmanship covered by this limited warranty at no charge. Accurate Fishing Products will also, free of charge, lubricate your ATD reel one (1) time per year during the term of this Limited Warranty.

**How Do You Get Service?** If something goes wrong with your reel, or you want to receive the annual lubrication service, send it to Accurate Fishing Products, postage pre-paid, along with a sales receipt or other proof of the date of purchase. Be sure to include a short note explaining the problem. Send the ATD reel to Accurate Fishing Products at:

**Accurate Fishing Products Warranty Repairs 807 E. Parkridge Avenue Corona, California 92879 1-888-ACCU-372**

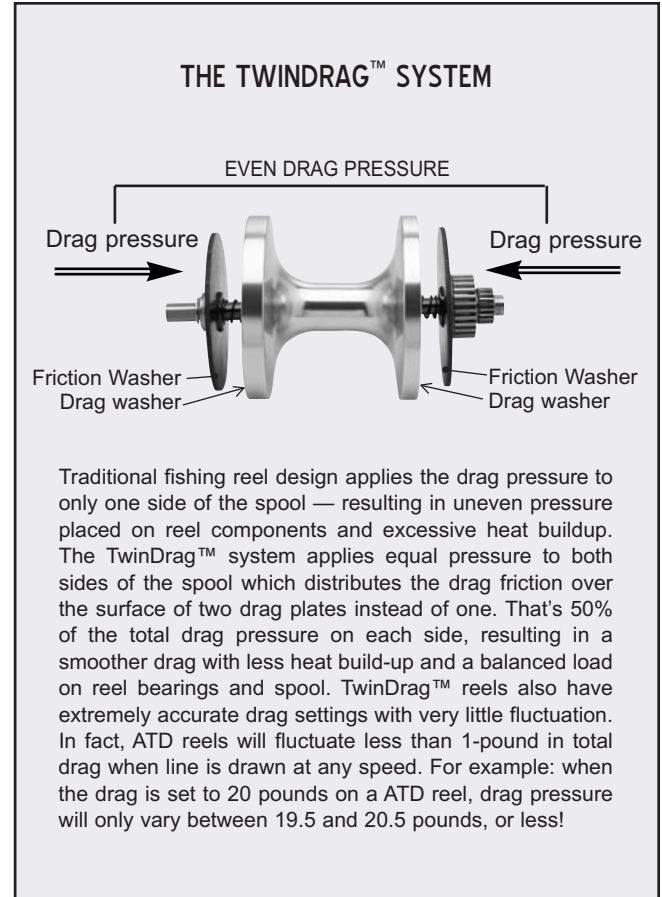
You can also check out this link for an authorized service center near you: [www.accuratefishing.com/support/service.php](http://www.accuratefishing.com/support/service.php)

Please pack your reel with all parts that have been removed securely in a sturdy box. Be certain that your package is adequately insured and mailed with a shipping company that has tracking capabilities. Be sure to include your name, address and telephone number. Accurate Fishing Products will inspect your reel and contact you within 30 days of receipt to inform you whether the problem is covered by this limited warranty. There is no charge for the inspection.

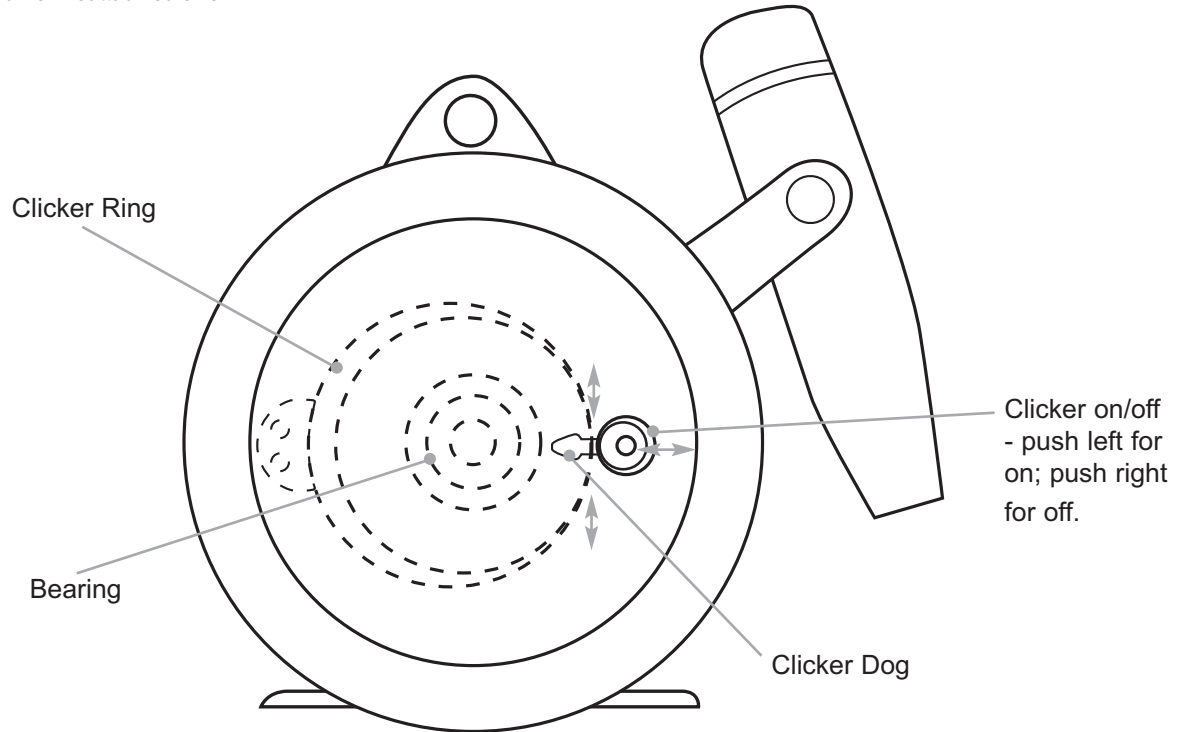
**What Are The Warranty Limitations And Limitations Of Liability?** There are no other express warranties. Any warranty of merchantability or fitness for a particular purpose is limited to the duration of this limited warranty. Accurate Fishing Products shall NOT be liable for any loss of use, loss of time, inconvenience, commercial loss, or other incidental or consequential damages. Some states do not allow limitations on how long an implied warranty lasts, or the exclusion or limitation of incidental or consequential damages, so the above limitations and exclusions may not apply to you. This limited warranty gives you specific legal rights, you may have additional rights which vary from state to state.

## FEATURES

- > Patented TwinDrag™ system
- > Billet 6061 - T6 aluminum
- > 7 Class-5 ABEC stainless steel ball bearings
- > Preset lever with lock and alphanumeric scale
- > QuickShift two-speed
- > Titanium drag friction washers
- > Unhindered free-spool at every drag setting
- > Removable spool stud
- > Greased AccuDrags
- > 2 Anti-reverse dogs
- > Stainless-steel gears, springs, harness lugs, head screws
- > Power handle - Ergonomic designed for comfort and a sure grip
- > 2-year warranty
- > AccuCare reel service
- > Proudly designed, manufactured and assembled in the USA
- > Left-handed models available
- > Topless models available



To adjust the clicker for more or less intensity, remove the six 3/32 hex screws on the sideplate. Pull the sideplate apart from the frame. You now have access to the clicker mechanism inside the frame. Pull the ring apart for less intensity or push closer together to add intensity. Once adjustment is complete, place the sideplate and spool back into the frame. Reattach screws.



## DRAG VARIANCE

Thanks to the Platinum Twin Drags exclusive Twin Drag technology, the drag tension you set will vary no more than two pounds when line is pulled off the reel at any speed! Unfortunately, there is another factor which causes drag variance that needs to be accounted for. This factor is based on how full the reel is with line. When the spool is filled, the line is being pulled off a high point on the spool. As the amount of line on the spool reduces, the line is pulled from a lower area on the spool. There is less leverage used when the line is pulled at a lower level, which means the line needs more force to move the spool against the drag. The drag setting has not been decreased, but the line will encounter increased tension. Account for the drag pressure to approximately double when 25% of the line has been removed from a full spool.

## FILLING THE SPOOL

Begin filling the Platinum TwinDrag Reel by attaching the line securely to the reel spool. With tension applied to the line, fill the spool to approximately 1/4" from the spool edge.

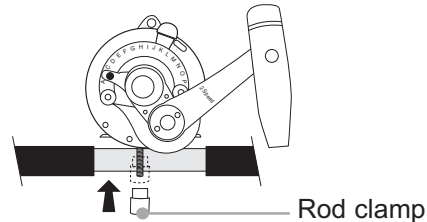
NOTE: Filling the spool too close to the spool edge means you will have to level wind perfectly to prevent a high spot from occurring. If a high spot occurs, the reel will not allow you to retrieve all of the line. Leave room on the spool to level wind comfortably while fighting a fish.

Because of mono compaction when using ultra light line, we recommend first filling the spool with at least 2/3 dacron line.

Mono Compaction - Mono compaction is a problem that happens with light line. The smaller the mono line diameter, the more elasticity the line will have. The elasticity is multiplied by the amount of line put on the spool which creates pressure on the spool. When too much light line is added, the pressure can expand the spool. This could cause the reel to perform with inconsistent drag pressure or, if enough pressure is built up, break the spool in half. Always put the least amount of ultra-light line on the reel as needed.

## ROD MOUNTING

Mount the reel on the rod with its rod clamp. If your reel is a right-handed model, be sure to mount the reel with the handle on the right.

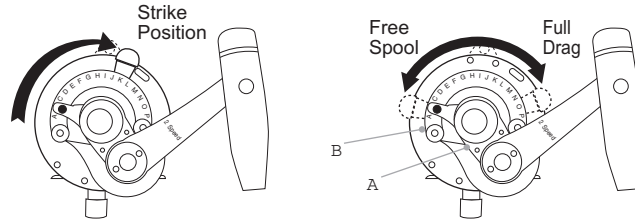


# LINE CAPACITIES

MODEL	WEIGHT	GEAR RATIOS	MONO LINE CAPACITY	SP LINE CAPACITY
		High · Low	lbs./line dia. inches/yds.	lbs./yds · mono top shot
ATD-6	41 oz.	5/1 · 2.3/1	30/.022/350	50/600 · 30/100
ATD-12	42 oz.	5/1 · 2.3/1	30/.022/550	80/350 · 40/250
ATD-30	47 oz.	4/1 · 1.7/1	50/.028/400	80/400 · 60/125
ATD-50	58 oz.	3.3/1 · 1.2/1	60/.031/500	130/500 · 100/50
ATD-50H	58 oz.	4.4/1 · 1.2/1	60/.031/500	130/500 · 100/50
ATD-50 wide	60 oz.	3.3/1 · 1.2/1	80/.035/500	130/500 · 130/100
ATD-80	140 oz.	2.2/1 · 1/1	80/.035/750	200/700 · 130/100
ATD-80 wide	147 oz.	2.2/1 · 1/1	80/.035/1000	200/1000 · 130/100
ATD-130	192 oz.	2.2/1 · 1/1	130/.044/1000	

# OPERATION

Basic operation of your Platinum Twin Drag fishing reel is no different from operating any other fishing reel except for setting the lever drag. The most popular drag setting is to set your drag so when the Main Drag Lever is in the strike position it is at approximately 30% of your line strength. To obtain this setting, start by adjusting the Main Drag Lever so it is in the Free Spool position. NOTE: The Preset Lever cannot be adjusted unless the Main Lever is in the free spool position. Then adjust the Preset Drag Lever by depressing the Preset Button Lock and moving it to the alphabetical letter that provides 30% of drag pressure.



NOTE: Because the Platinum TwinDrag reels are equipped with TwinDrag technology the drag pressure you can apply is unlimited. Feel free to crank up the drag pressure to your desired setting.

If the drag Preset Drag Lever gets close to the "O" position then the Preset Lever needs to be adjusted to account for drag washer wear. Simply remove the two phillips head screws(A) and the 3/32 hex screw(B), then move the Preset Lever to the left of the Preset Support. Lift and remove the lever. Advance the nut clockwise 1/6 turn. Replace the Preset Drag Lever and move it onto the Preset Support. Replace all the screws.

Your Platinum Twin Drag Reel is equipped with both high speed and low speed retrieve settings. Use high speed for normal fishing applications and switch to low speed for extra cranking power. Your reel is delivered in the High setting. To shift to low speed push in the Low Speed Button. To shift to high speed depress the High Speed Button. It is possible to shift from low to high (with practice) very quickly. If so, you will need to pull the handle knob back (counter-clockwise) toward you in order for the gears to shift. This is because you have shifted while keeping constant pressure on the gears. Action will unload the gear pressure to allow the internal gear shift movement.